

JE05U4RD40-10A

4-Line Ultra Low Capacitance Uni-directional Array



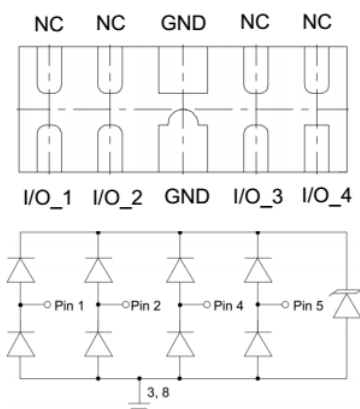
Description

The JE05U4RD40-10A is an ultra low capacitance TVS array, utilizing leading monolithic silicon technology to provide fast response time and low ESD clamping voltage, making this device an ideal solution for protecting voltage sensitive high-speed data lines. The JE05U4RD40-10A has an ultra-low capacitance with a typical value at 0.3pF, and complies with the IEC 61000-4-2 (ESD) with $\pm 15\text{kV}$ air and $\pm 8\text{kV}$ contact discharge. It is assembled into a 10-pin 2.5x1.0x0.5mm lead-free DFN package. The flow through style package allows for easy PCB layout and matched trace lengths necessary to maintain consistent impedance between high speed differential lines such as USB3.0 and HDMI. The small size, ultra-low capacitance and high ESD surge protection make JE05U4RD40-10A an ideal choice to protect HDMI, MDDI, USB 3.0 and other high speed ports.

Features

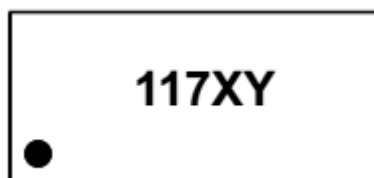
- * Ultra low capacitance: 0.3pF typical (I/O to I/O)
- * Ultra Low leakage: nA level
- * Operating voltage: 5V
- * Low clamping voltage
- * One power line protects
- * Complies with following standards:
 - IEC 61000-4-2 (ESD) immunity test
 - Air discharge: $\pm 15\text{kV}$
 - Contact discharge: $\pm 8\text{kV}$
 - IEC61000-4-5 (Lightning) 4A (8/20 μs)
- * RoHS Compliant
- * Package: DFN2510-10

Circuit Diagram



Circuit and Pin Schematic

Marking Diagram



Transparent top view

117 = Device Code
X = Date Code
Y = Control Code

Applications

- * HDMI 1.3 & 1.4, USB 2.0 & 3.0 and MDDI ports
- * Monitors and flat panel displays
- * Set-top box and Digital TV
- * Video graphics cards
- * Digital Visual Interface (DVI)
- * Notebook Computers
- * PCI Express and Serial SATA Ports

Ordering Information

Part Number	Packaging	Reel Size
JE05U4RD40-10A	3000/Tape & Reel	7 inch

Absolute Maximum Ratings ($T_A=25^{\circ}\text{C}$ unless otherwise specified)

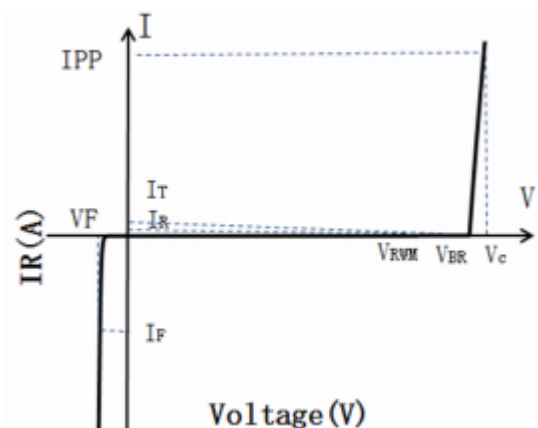
Parameter	Symbol	Value	Unit
Peak Pulse Power (8/20 μs)	Ppk	40	W
Peak Pulse Current (8/20 μs)	IPP	4	A
ESD per IEC 61000-4-2 (Air)	VESD	± 15	kV
ESD per IEC 61000-4-2 (Contact)		± 8	
Operating Temperature Range	TJ	-55to +125	$^{\circ}\text{C}$
Storage Temperature Range	Tstg	-55 to +150	$^{\circ}\text{C}$

Electrical Characteristics ($T_A=25^{\circ}\text{C}$ unless otherwise specified)

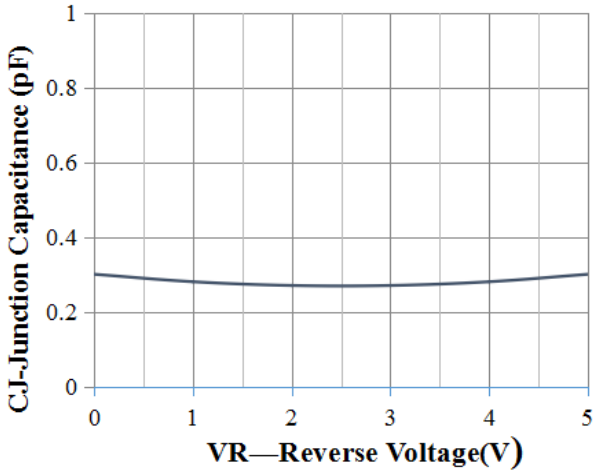
Parameter	Symbol	Test Condition	Min	Typ	Max	Unit
Reverse Working Voltage	V_{RWM}	Any I/O pin to ground			5	V
Breakdown Voltage	V_{BR}	$I_T = 0.2\mu\text{A}$,any I/O pin to ground	5.8			V
Breakdown Voltage	V_{BR}	$I_T = 1\text{mA}$,any I/O pin to ground		8		V
Reverse Leakage Current	I_R	$V_{RWM} = 5\text{V}$,any I/O pin to ground			0.5	μA
Clamping Voltage	V_C	$I_{PP} = 1\text{A}$ (8 x 20 μs pulse),any I/O pin to ground			9	V
Clamping Voltage	V_C	$I_{PP} = 4\text{A}$ (8 x 20 μs pulse),any I/O pin to ground			10	V
Junction Capacitance	C_J	$V_R = 0\text{V}$, $f = 1\text{MHz}$,between I/O pins		0.3	0.4	pF
Junction Capacitance	C_J	$V_R = 0\text{V}$, $f = 1\text{MHz}$,any I/O pin to ground		0.6	0.8	pF

Portion Electronics Parameter

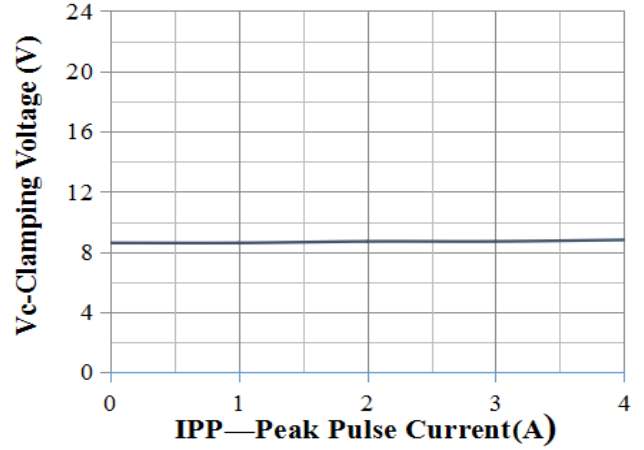
Symbol	Parameter
I_T	Test Current
I_{PP}	Maximum Reverse Peak Pulse Current
V_C	Clamping Voltage @ I_C



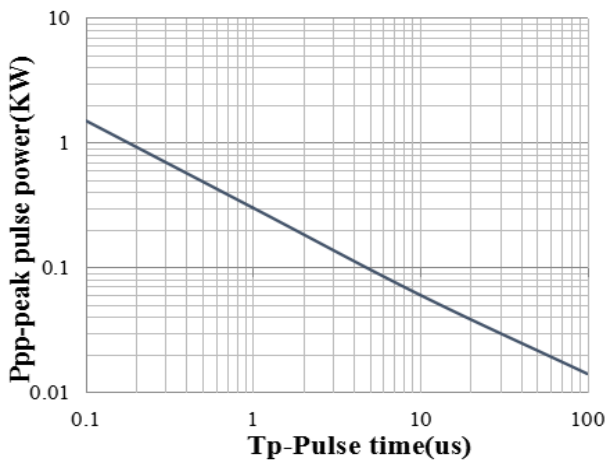
Typical Performance Characteristics ($T_A=25^\circ\text{C}$ unless otherwise Specified)



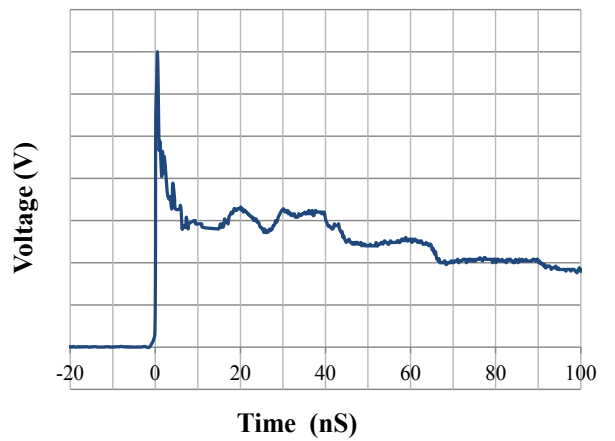
Junction Capacitance vs. Reverse Voltage



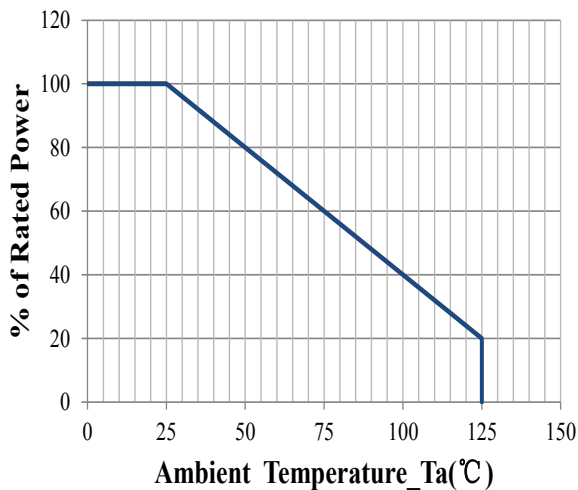
Clamping Voltage vs. Peak Pulse Current



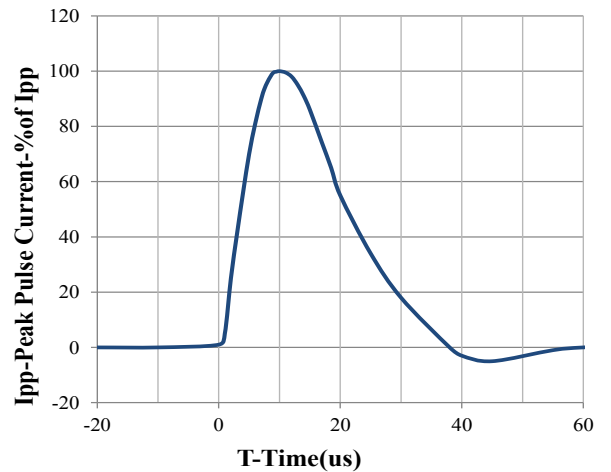
Peak Pulse Power vs. Pulse Time



IEC61000-4-2 Pulse Waveform



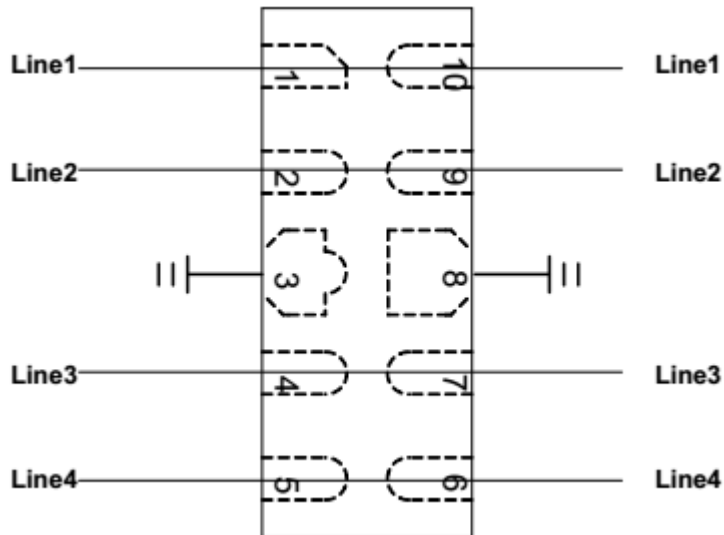
Power Derating Curve



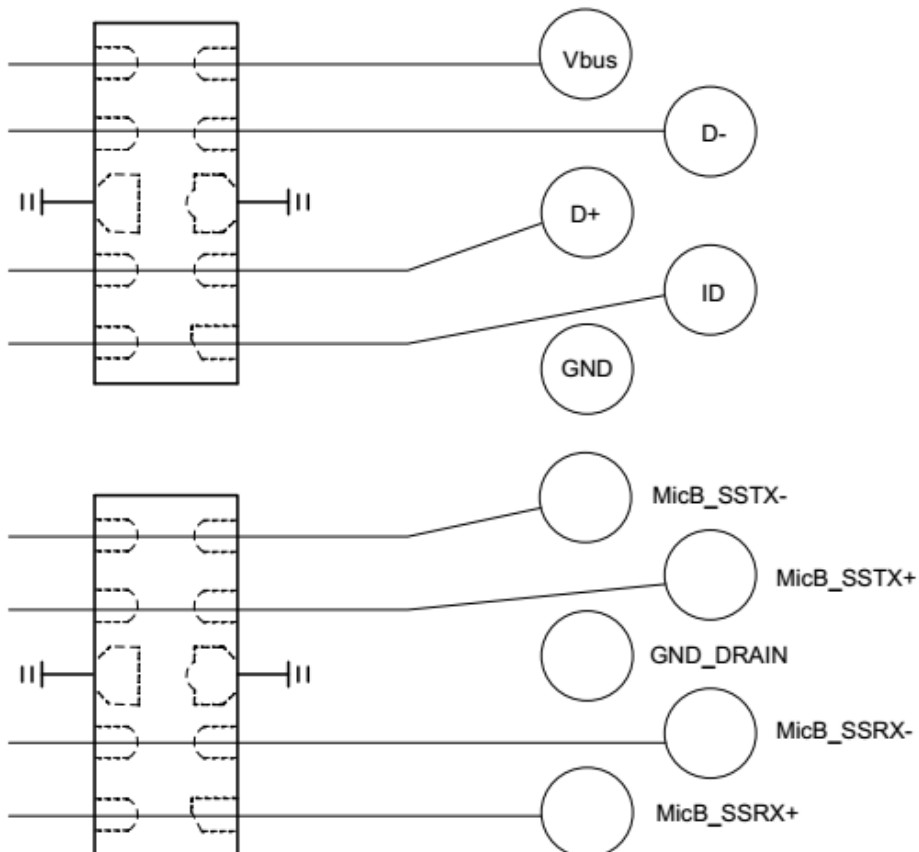
8 X 20us Pulse Waveform

Typical Application

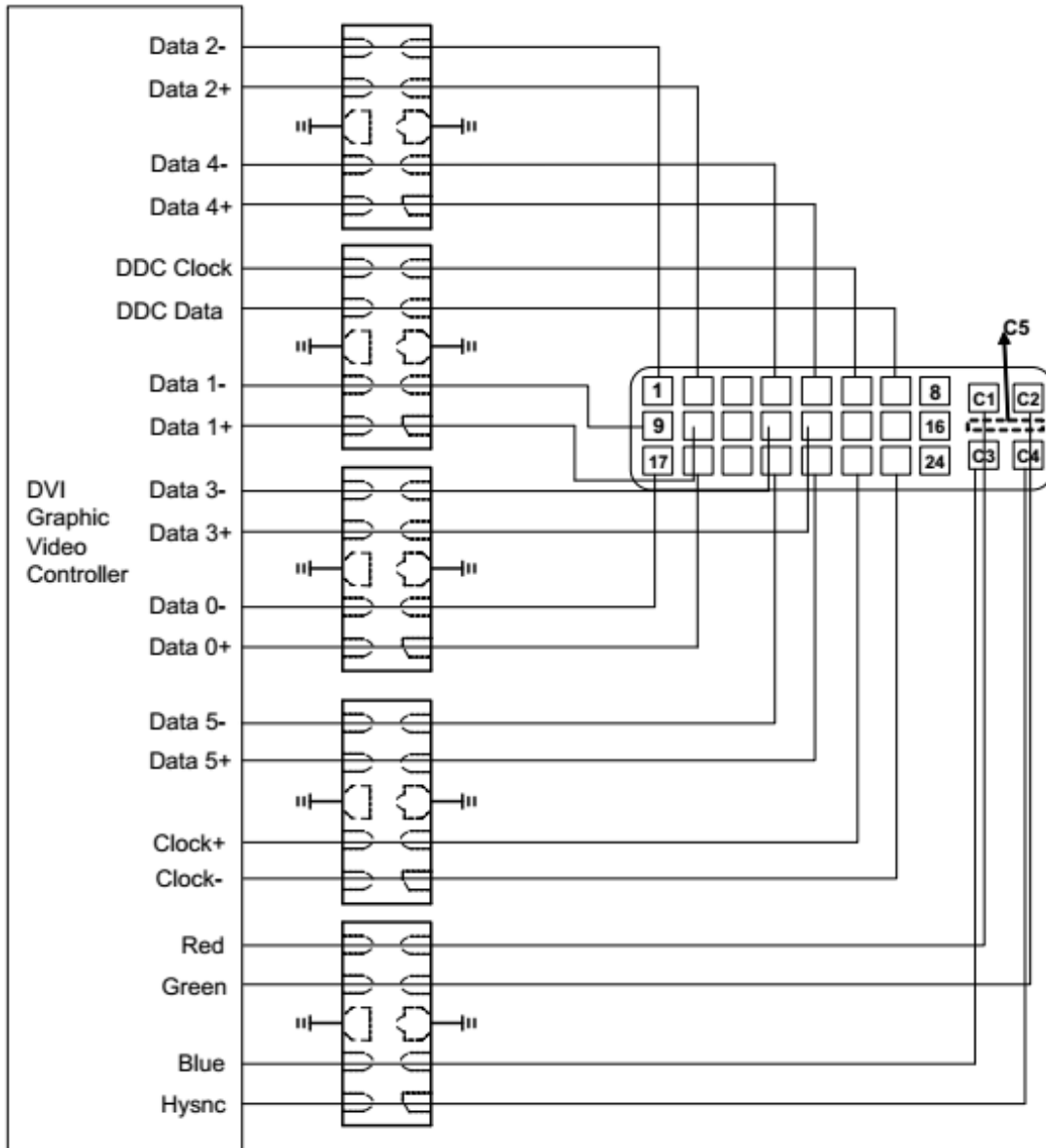
The JE05U4RD40-10A is designed for easy PCB layout by allowing the traces to run straight through the device. The PCB traces could be used to connect the pin pairs for each line. For example, line 1 enters at pin 1 and exits at pin 10 and the PCB trace connects Pin 1 and Pin 10 together. Ground is connected at Pin 3 and Pin 8.



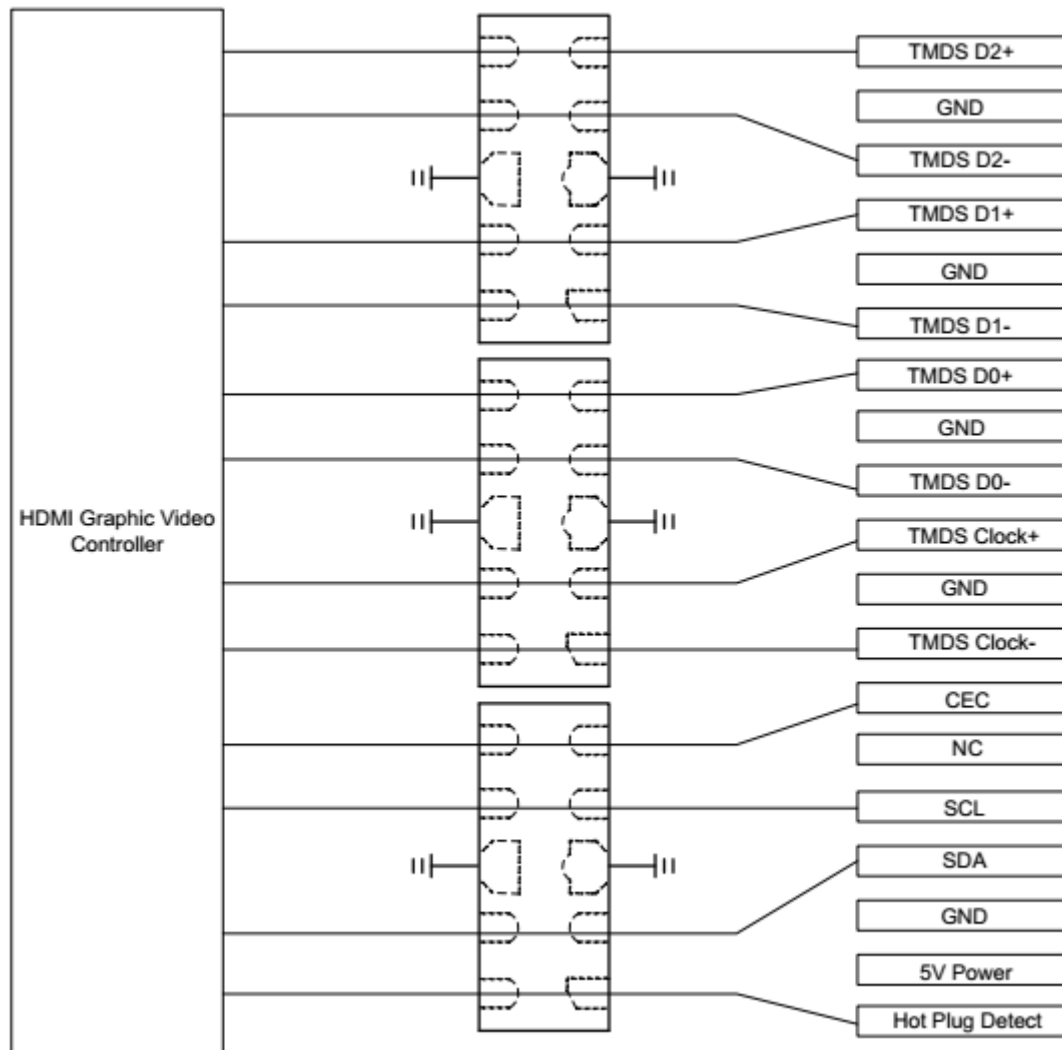
JE05U4RD40-10A On USB 3.0 Port Application



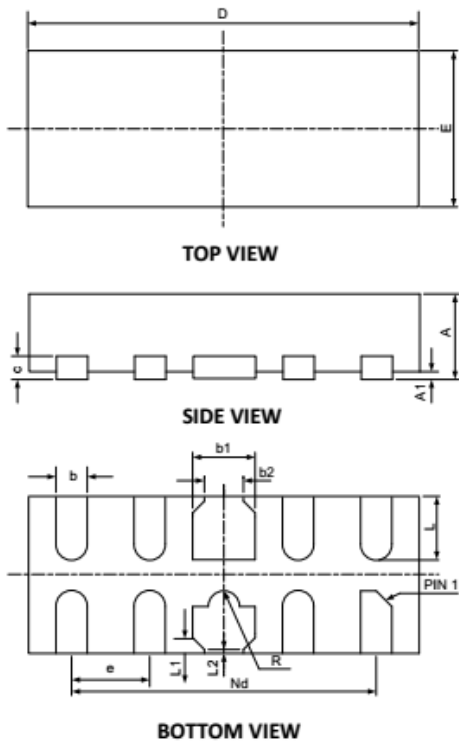
JE05U4RD40-10A On DVI Port Application



JE05U4RD40-10A On HDMI Port Application

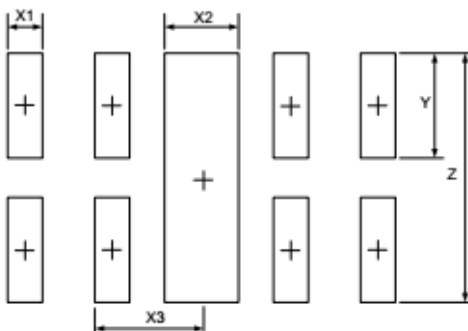


DFN2520-10 Package Outline Drawing (Dimensions in millimeters)



SYM	DIMENSIONS					
	MILLIMETERS			INCHES		
	MIN	NOM	MAX	MIN	NOM	MAX
A	0.45	0.50	0.55	0.018	0.020	0.022
A1	0.00	0.02	0.05	0.000	0.001	0.002
b	0.15	0.20	0.25	0.006	0.008	0.010
b1	0.35	0.40	0.45	0.014	0.016	0.018
b2	0.20	0.25	0.30	0.008	0.010	0.012
c	0.10	0.15	0.20	0.004	0.006	0.008
D	2.45	2.50	2.55	0.098	0.100	0.102
e	0.50BSC			0.020BSC		
Nd	2.00BSC			0.080BSC		
E	0.95	1.00	1.05	0.038	0.040	0.042
L	0.35	0.40	0.45	0.014	0.016	0.018
L1	0.075REF			0.003REF		
L2	0.050REF			0.002REF		
h	0.08	0.12	0.15	0.003	0.005	0.006
R	0.05	0.10	0.15	0.002	0.004	0.006

Suggested Land Pattern



SYM	DIMENSIONS	
	MILLIMETERS	INCHES
X1	0.200	0.008
X2	0.400	0.016
X3	0.500	0.020
Y	0.600	0.024
Z	1.400	0.056

NOTICE

Jelan-Link reserves the right to make changes without further notice to any products here in.

Only obligations are those in the Jelán-Link Standard Terms and Conditions of Sale and in no case will Jelán-Link be liable for any incidental, indirect, or consequential damages arising from the sale, resale, use, or misuse of its products.